



# SWEEPERLINE 700

- Ⓛ DE Ersatzteilkatalog
- Ⓛ EN Spare parts catalogue



35.00.190

1/2024 Rev.00



**REBI GmbH**

Friedenstraße 127 | 42699 Solingen | Germany

Sitz der Gesellschaft ist Solingen | HRB 14732 | Amtsgericht Wuppertal | St.Nr.: 12858194416  
USt.-ID Nr.: DE120956854 | Telefon: 0212 262520 | E-Mail: [info@rebi-gmbh.de](mailto:info@rebi-gmbh.de) | [www.rebi-gmbh.de](http://www.rebi-gmbh.de)



# SWEEPERLINE 700

## DE Bei der Bestellung von Ersatzteilen unbedingt anzugeben


- 1) Fabriknummer und Maschinentyp
- 2) Nummer der Ersatzteillafel
- 3) Bezugsnummer des Ersatzteiles
- 4) Bestellte Menge

Beispiel:  
 SWEEPERLINE 700  
 Fabriknr.: 150500  
 Tafel: 1  
 Zeile: 1 (Code und Benennung)  
 Menge: 1stck.

## EN Specifications for ordering spare parts

- 1) Serial number and machine type
- 2) Number of the table
- 3) Part identification code
- 4) Quantity ordered

Example:  
 SWEEPERLINE 700  
 Serial number: 150500  
 Table: 1  
 Item: 1 (code & description)  
 Quantity: 1pcs



**TYPENSCHILD - MACHINE TYPE LABEL**

Hersteller  
 Manufacturer

Modell  
 Model

Steigung  
 Gradient

Gewicht  
 Weight

Seriennummer  
 Serial N°

Herstellungsjahr  
 Year of manufacture

Elektrische Eigenschaften - Electrical characteristics

Labels include: CE, MODEL, S/N, WEIGHT KG, YEAR, and a crossed-out disposal symbol.

**INFORMATIONEN - INFORMATION**

Tafel n°  
 Table n°

**1**

Bemerkungen Remarks	
	Serial Number :
	Serial Number :
	Serial Number : -> 168800
	Serial Number : 168801 ->
	Serial Number :

Bis Serien-Nr.  
Up to serial number

Von Serien-Nr.  
From serial number

DE

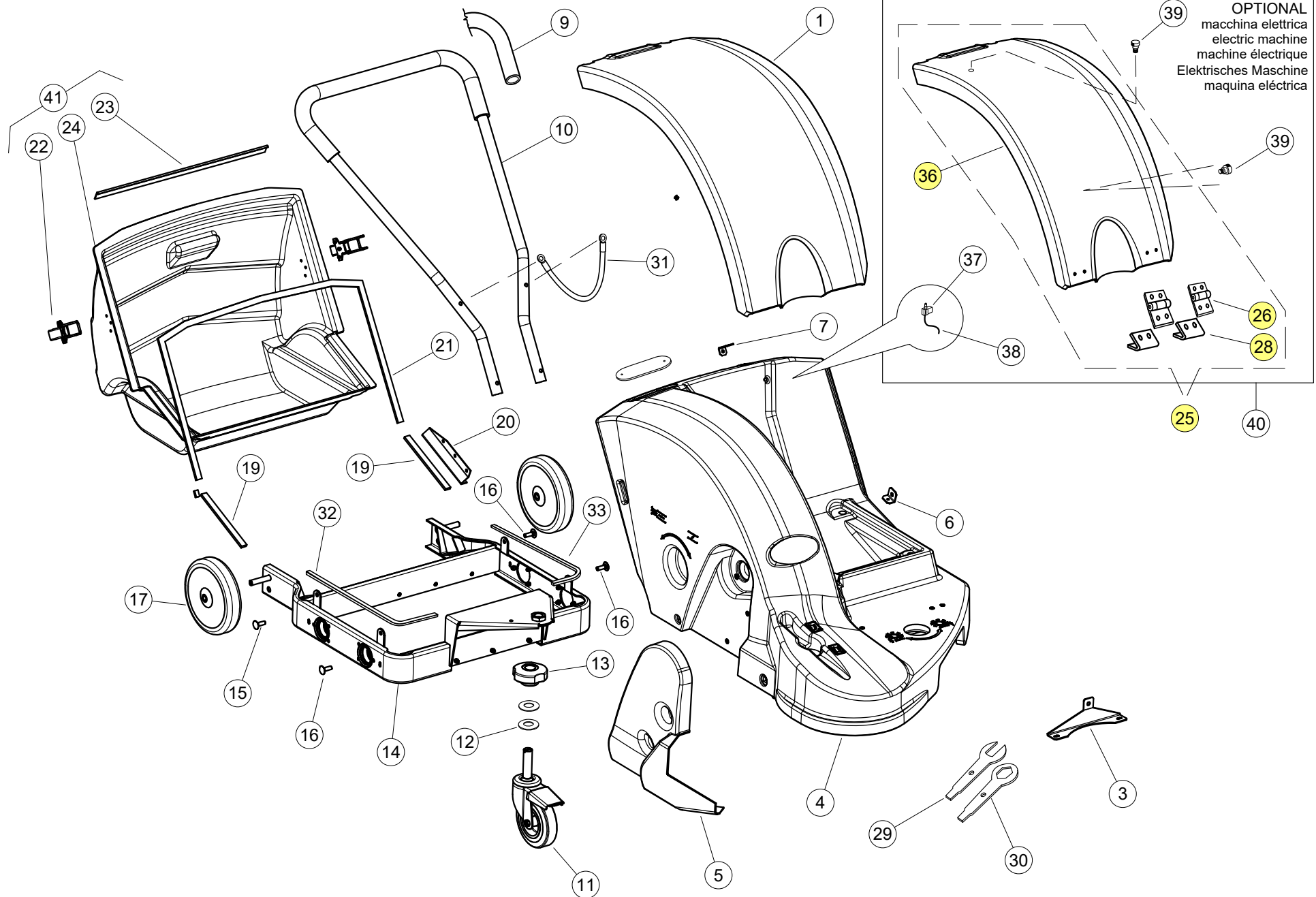
## Tafelverzeichnis

- 1 Rahmengestell
- 2 Bürsten
- 3 Elektrische Anlage
- 4 Selbstklebende Etiketten

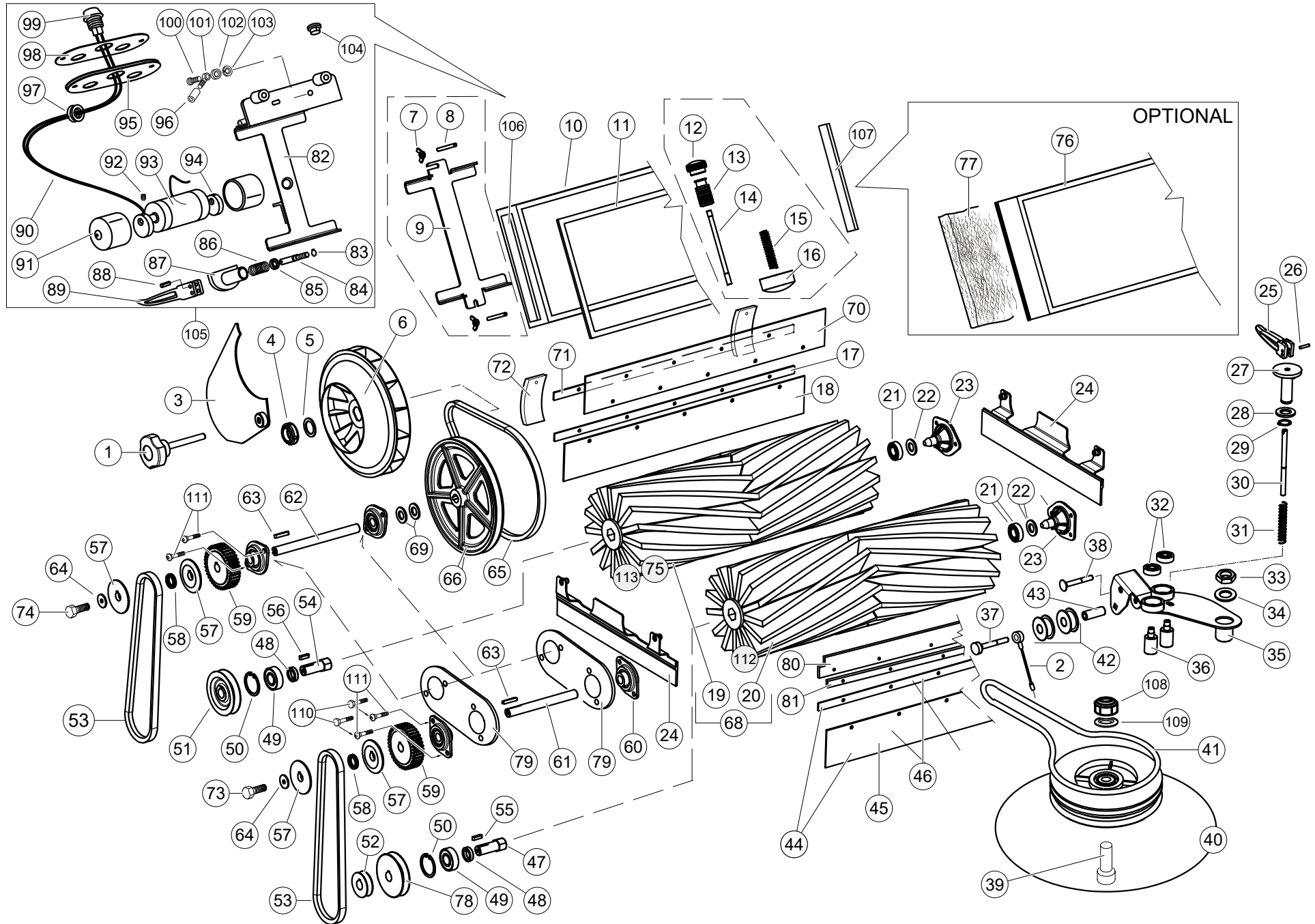
EN

## Table list

- 1 Chassis
- 2 Brushes
- 3 Electric system
- 4 Adhesive labels



Stück Nr. Part. no°	Code n° Code no°	Anzahl Quantity	DE Benennung	EN Description	Bemerkungen Remarks		Serial Number :
1	1.5.10247B	1	Haube	bonnet			Serial Number :
3	2.7.12043XZ	1	Arretierung	retainer			Serial Number :
4	1.5.10239G3	1	Fahrgestell	chassis			Serial Number :
5	1.5.11123N	1	Schutz	guard			Serial Number :
6	2.7.12042XZ	1	Platte	plate			Serial Number :
7	2.7.12223XZ	1	Platte	plate			Serial Number :
9	1.2.10449	0,8	schlauch (pro Meter)	pipe (per meter)	mt		Serial Number :
10	2.7.11914	1	Lenkstangenschutz	handlebar			Serial Number :
11	2.7.11911	1	Vorderrad	front wheel			Serial Number :
12	A11.1096	2	Spannscheibe 20,4X40X1,5	belleville spring 20,4X40X1,5			Serial Number :
13	1.5.10323	1	Knopf	knob			Serial Number :
14	2.7.11890	1	Haupt-Fahrgestell	main chassis			Serial Number :
15	1.1.10610	1	Halbrundschrabe M8X60	round head screw M8X60			Serial Number :
16	1.1.10611	3	Halbrundschrabe M8X30	round head screw M8X30			Serial Number :
17	1.2.10249	2	Hinterrad	rear wheel			Serial Number :
19	1.2.00445	0,45	Gummiprofil (pro Meter)	rubber section (per meter)	mt		Serial Number :
20	2.7.11918XZ	1	Gleitführung	slide			Serial Number :
21	1.2.04149	1,35	Gummiprofil (pro Meter)	rubber section (per meter)	mt		Serial Number :
22	1.4.03239	2	Hebelverschluss	lever closing			Serial Number :
23	2.7.12221	1	Leiste	strip			Serial Number :
24	1.5.10219B	1	Abfallbehälter	refuse container			Serial Number :
25	2.7.12243	1	kit Haubeöffnung	bonnet opening kit	no micro	optional	Serial Number :
26	A14.0513	2	Scharnier	hinge	optional		Serial Number :
28	2.7.11974XZ	2	Platte	plate	optional		Serial Number :
29	2.7.12304XZ	1	Schlüssel	Wrench			Serial Number :
30	2.7.12327XZ	1	Schlüssel	Wrench			Serial Number :
31	1.3.11014	1	Erdungsgeflecht	ground			Serial Number :
32	1.2.04149	0,5	Gummiprofil (pro Meter)	rubber section (per meter)	mt		Serial Number :
33	1.2.04149	0,5	Gummiprofil (pro Meter)	rubber section (per meter)	mt		Serial Number :
36	1.5.10803	1	Kippbarem Haube	hinged bonnet		optional	Serial Number :
37	1.3.08028	1	Mikroschalter	microswitch		optional	Serial Number :
38	1.3.10791	1	Elektrokabeln	microswitch electr.cable		optional	Serial Number :
39	1.5.05213	2	Sterngriff	hand knob		optional	Serial Number :
40	2.7.12477	1	Kit Haubeöffnung+Mikro	bonnet opening kit+micro		optional	Serial Number :
41	2.7.13144	1	Abfallbehälter Kit	refuse bin kit			Serial Number :



Stück Nr. Part. no°	Code n° Code no°	Anzahl Quantity	DE Benennung	EN Description	Bemerkungen Remarks	
1	1.5.10315	1	Knopf	knob		Serial Number :
2	1.3.10700	1	Masseleitung	earth lead		Serial Number :
3	2.7.11917XZ	1	Ansaugung-Verschlußdeckel	vacuum closing		Serial Number :
4	1.1.00266	1	Nutmutter M25X1,5	ring nut M25X1,5		Serial Number :
5	1.1.00265	1	Scheibe Ø25X44X4	washer Ø25X44X4		Serial Number :
6	1.3.06404	1	Ansaugventilator	suction fan		Serial Number :
7	1.1.00176	2	Flügelmutter M6	wing nut M6		Serial Number :
8	2.7.12222	2	Zugbolzen	tie-rod		Serial Number :
9	2.7.13100XZ	1	Halterung	support		Serial Number :
10	1.5.05290	1	Flachfilter (Papier)	panel filter (paper)		Serial Number :
10	1.5.06967	1	Flachfilter (Polyester 5µ)	panel filter (polyester 5µ)	optional	Serial Number :
11	1.2.10575	1,55	Gummiprofil (pro Meter)	rubber section (per meter)	mt	Serial Number :
12	1.5.03349	1	Knopf	knob		Serial Number :
13	1.2.06314	1	Gebälse	bellows		Serial Number :
14	2.7.06656	1	Zugbolzen	tie-rod		Serial Number :
15	1.4.05238	1	Feder	spring		Serial Number :
16	2.7.06546	1	Rüttlerkopf	filter striker		Serial Number :
17	2.7.12007N	1	Leiste	strip		Serial Number :
18	1.2.10316	1	Staubhalte-Gummiprofil	dust rubber section		Serial Number :
18	1.2.11061	1	Nicht- markierende Gummiprofil	no marking dust rubber s.	optional	Serial Number :
19	1.5.10243	1	Hauptbürste (ppl 0,3)	main brush (ppl 0,3)		Serial Number :
20	1.5.10242	1	Hauptbürste (ppl 0,7)	main brush (ppl 0,7)		Serial Number :
21	1.4.00267	2	Lager (6002 2RS)	bearing (6002 2RS)		Serial Number :
22	2.7.09124	2	Riemenscheibe	pulley		Serial Number :
23	1.5.10229	2	Halterung	support		Serial Number :
24	1.2.10244	2	Seitengummi	side flap		Serial Number :
24	1.2.11060	2	Nicht- markierende Seitengummi	no marking side flap	optional	Serial Number :
25	1.5.10276	1	Hebel	lever		Serial Number :
26	1.1.01446	1	Spannstift Ø4,5X20	spring pin Ø4,5X20		Serial Number :
27	1.5.10277	1	Buchse	bush		Serial Number :
28	2.7.11957	1	Abstandhalter	spacer		Serial Number :
29	1.1.00032	1	Scheibe Ø8X17X2	washer Ø8X17X2		Serial Number :
30	2.7.11955	1	Bolzen	pin		Serial Number :
31	1.4.10320	1	Feder	spring		Serial Number :
32	1.4.00318	2	Lager (6200 2RS)	bearing (6200 2RS)		Serial Number :
33	1.1.10385	1	Mutter M20	nut M20		Serial Number :

Stück Nr. Part. no°	Code n° Code no°	Anzahl Quantity	DE Benennung	EN Description	Bemerkungen Remarks		
34		1	Scheibe	washer	Ø20		Serial Number :
35	2.7.11898XF	1	Arm	arm			Serial Number :
36	2.7.12192	2	Bolzen	pin			Serial Number :
37	1.1.00574	1	Sechskantschraube M8X70	hex.head screw M8X70			Serial Number :
38	1.1.10609	1	Halbrundschrabe M10X110	round head screw M10X110			Serial Number :
39		1	Sechskantschraube M20x80	hex.head screw M20x80			Serial Number :
40	1.5.10241	1	Seitenbürste (ppl 0,5)	sider brush (ppl 0,5)			Serial Number :
40	1.5.11065	1	Seitenbürste (Ppl-Stahl)	sider brush (ppl-steel)	optional		Serial Number :
40	1.5.11171	1	ppl/Bronze Seitenbürste	ppl/bronze side brush	optional		Serial Number :
41	1.2.06744	1	Riemen (Ø8X1200)	belt (Ø8X1200)			Serial Number :
42	1.5.10246	2	Scheibe	pulley			Serial Number :
43	2.7.12123	1	Abstandhalter	spacer			Serial Number :
44	2.7.12244	1	Komplett- Vordergummi	front flap kit	optional		Serial Number :
45	1.2.10316	1	Staubhalte-Gummiprofil	dust rubber section	optional		Serial Number :
45	1.2.11061	1	Nicht- markierende Gummiprofil	no marking dust rubber s.	optional		Serial Number :
46	2.7.12007N	1	Leiste	strip	optional		Serial Number :
47	2.7.12177	1	Achse	axle			Serial Number :
48	2.7.11952	2	Abstandhalter	spacer			Serial Number :
49	1.4.00360	2	Lager (6203 2RS)	bearing (6203 2RS)			Serial Number :
50	1.1.00880	2	Seegerring I40	seeger I40			Serial Number :
51	2.7.11902	1	Riemenscheibe	pulley			Serial Number :
52	2.7.12179	1	Riemenscheibe	pulley			Serial Number :
53	1.2.10350	2	Riemen (A 27 FTD)	belt (A 27 FTD)			Serial Number :
54	2.7.11948	1	Achse	axle			Serial Number :
56	1.1.00581	1	Keil A 5X5X20	key A 5X5X20			Serial Number :
57	2.7.12036	4	Halbriemenscheibe	half-pulley			Serial Number :
58	1.1.12581	8	Scheibe Ø20X28X1	washer Ø20X28X1			Serial Number :
59	1.5.10235	2	Zahnradgetriebe	gear			Serial Number :
60	1.4.00705	4	Lager	bearing			Serial Number :
61	2.7.11950	1	Achse	axle			Serial Number :
62	2.7.11949	1	Achse	axle			Serial Number :
63	1.1.02446	2	Keil A 5X5X30	key A 5X5X30			Serial Number :
64	1.1.00030	2	Scheibe Ø6X12,5X1,6	washer Ø6X12,5X1,6			Serial Number :
65	1.2.10349	1	Riemen (A 29)	belt (A 29)			Serial Number :
66	2.7.11958	1	riemenscheibe	pulley			Serial Number :
67	1.2.10677	1	O-Ring (18X2)	O-ring (18X2)			Serial Number :



Stück Nr. Part. no°	Code n° Code no°	Anzahl Quantity	DE Benennung	EN Description	Bemerkungen Remarks	
68	1.5.10793	1	Bürsten kit	brushes kit		Serial Number :
70	1.2.11089	1	Staubhalte Gummiprofil	rear flap		Serial Number :
71	2.7.00037N	1	Leiste	flat bar		Serial Number :
72	1.2.11234	2	Antistatikum Gummi	antistatic flap	optional	Serial Number :
73	1.1.10403	1	Schraube mit Gewinde links M6X20	LH thread head screw M6X20		Serial Number :
74	1.1.00548	1	Sechskantschraube M6X20	hex.head screw M6X20		Serial Number :
75	1.5.10676	1	Hauptbürste (ppl 0,5)	main brush (ppl 0,5)	optional	Serial Number :
76	1.5.11317	1	Klett Flachfilter	panel filtre with "velcro"	optional	Serial Number :
77	1.5.11318	1	Filterelement	filter element	optional	Serial Number :
78	2.7.12178	1	Riemenscheibe	pulley		Serial Number :
79	2.7.13662XZ	2	Plättchen	plate		Serial Number :
80	1.2.12094	1	Staubhalte-Gummiprofil	dust rubber section		Serial Number :
81	2.7.00037N	1	Leiste	flat bar		Serial Number :
82	2.7.14154XZ	1	Halterung	support	optional	Serial Number :
83	1.1.01739	1	Seegerring E8	seeger E8	optional	Serial Number :
84	2.7.14153	1	Bolzen	pin	optional	Serial Number :
85	2.7.11957	1	Abstandhalter	spacer	optional	Serial Number :
86	1.4.06356	1	Feder	spring	optional	Serial Number :
87	1.5.10278	1	Halterung	support	optional	Serial Number :
88	1.1.01446	1	Spannstift Ø4,5X20	spring pin Ø4,5X20	optional	Serial Number :
89	1.5.10276	1	Hebel	lever	optional	Serial Number :
90	1.3.12360	1	Rütt.+Schalt.Elektrokabeln	shaker+switch wiring	optional	Serial Number :
91	1.5.12373	2	Staubschutz	dust cover	optional	Serial Number :
92	1.1.00133	2	Gewindestift M5X6	grub screw M5X6	optional	Serial Number :
93	1.3.12349	1	Elektrisches Rüttler	electric filter shaker	optional	Serial Number :
94	2.7.14160	2	Exzenterscheibe	eccentric disc	optional	Serial Number :
95	2.7.14151	1	(3 Löcher) Armaturen Brett	(3 holes) instr.dashboard	optional	Serial Number :
96	1.2.01842	0,02	Schutz aus Gummi (pro Meter)	protection rubber (per meter)	mt	Serial Number :
97	1.5.09007	1	Kabeldurchgang	wire guide	optional	Serial Number :
98	1.9.12405	1	(3 Löcher) Label	(3 holes) label	optional	Serial Number :
99	1.3.12372	1	Schaltknopf	push button	optional	Serial Number :
100	1.1.04172	1	Sechskantschraube M5X30	hex. head screw M5X30	optional	Serial Number :
101	A11.0985	1	Augenschraube Ø6	screw eye Ø6	optional	Serial Number :
102	1.1.00099	2	Scheibe Ø5X10X1	washer Ø5X10X1	optional	Serial Number :
103	1.1.00100	1	Federscheibe Ø5	spring washer Ø5	optional	Serial Number :
104	1.5.07475	1	Stopfen	plug	optional	Serial Number :



# SWEEPERLINE 700

Tafel n°  
Table n°

2

Stück Nr. Part. no°	Code n° Code no°	Anzahl Quantity	(DE) Benennung	(EN) Description	Bemerkungen Remarks		
105	2.7.14152	1	Kit elektrische Filterrüttler	electric filter shaker kit	optional		Serial Number :
106	1.2.00445	0,25	Gummiprofil (pro Meter)	rubber section (per meter)	mt		Serial Number :
107	1.2.00445	0,25	Gummiprofil (pro Meter)	rubber section (per meter)	mt		Serial Number :
108		1	Selbstsichernde Mutter M20	self-locking nut M20			Serial Number :
109		1	Scheibe Ø20	washer Ø20			Serial Number :
111	1.1.13650	4	Halbrundschraube M6X100	round head screw M6X100			Serial Number :
112	1.5.11163	1	V.ppl/Bronze Hauptbürste	FR ppl/bronze main brush	optional		Serial Number :
113	1.5.11164	1	H.ppl/Bronze Hauptbürste	RR ppl/bronze main brush	optional		Serial Number :

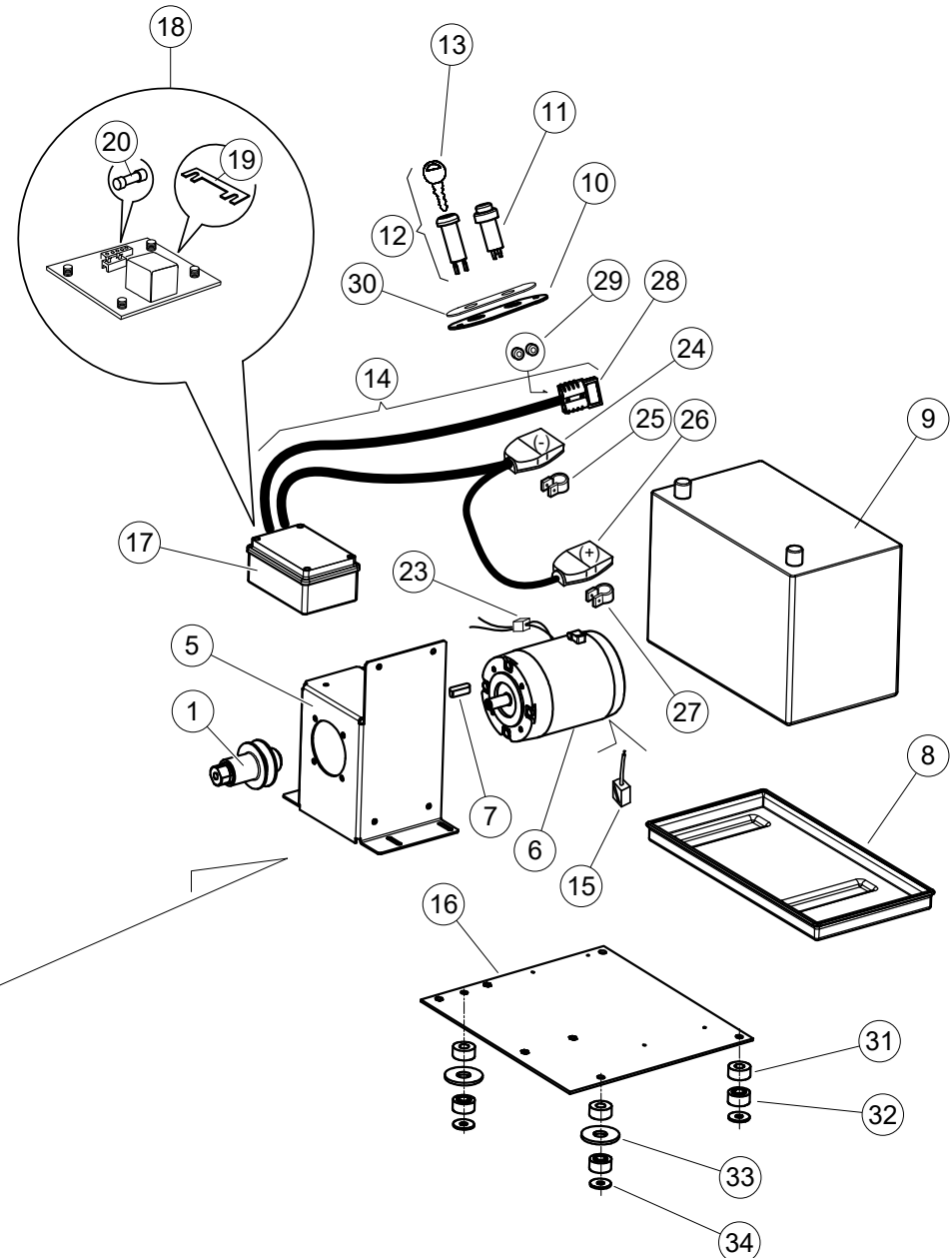
**36**

**Charger NE286 12V-13A**  
 configurato per batterie al piombo  
 configured for Lead-Acid batteries  
 configuré pour les batteries au Plomb-Acide  
 Konfiguriert für Blei-Säure-Batterien  
 configurado para baterías de plomo-ácido

NORDELETRONICA NE286 (Pb / La / Pa / Bs / Pá)

**Charger SPE CBHF1 12V-12A**  
 configurato per batterie al piombo  
 configured for Lead-Acid batteries  
 configuré pour les batteries au Plomb-Acide  
 Konfiguriert für Blei-Säure-Batterien  
 configurado para baterías de plomo-ácido

SPE CBHF1-SM (Pb / La / Pa / Bs / Pá)



Stück Nr. Part. no°	Code n° Code no°	Anzahl Quantity	DE Benennung	EN Description	Bemerkungen Remarks		
1	2.7.11980	1	Riemenscheibe	pulley			Serial Number :
2	1.3.12216	1	Stecker und Kabel	plug and cable	optional		Serial Number :
3	1.1.09655	1	Arretierung	retainer	optional		Serial Number :
4	1.3.10612	1	Batterieladegerät kabel	battery charger wiring	optional		Serial Number :
5	2.7.11979XZ	1	Halterung	support			Serial Number :
6	1.3.05253	1	Elektromotor (12V 280W)	electric motor (12V 280W)	standard		Serial Number :
6	1.3.06422	1	Elektromotor (12V-440W)	electric motor (12V-440W)	optional	motore maggiorato oversized motor	Serial Number :
7	1.1.00581	1	Keil A 5X5X20	key A 5X5X20			Serial Number :
8	1.5.05271	1	Batterietrog	battery container			Serial Number :
9	1.3.10214	1	Batterie 12V-85Ah	battery 12V-85Ah			Serial Number :
9	1.3.10705	1	Gel-Batterie (12V - 76Ah)	gel battery (12V - 76Ah)	optional		Serial Number :
10	2.7.11913N	1	Armaturenbrett	instrument panel			Serial Number :
11	1.3.02191	1	Kontrolleuchte- Batterie 12V (Pb)	battery warning light 12V (Pb)			Serial Number :
11	1.3.11158	1	Kontrollleuchte Batt/Ladung 12V (Gel)	battery charge ind. 12V (Gel)	optional		Serial Number :
12	1.3.06774	1	Schalter	switch			Serial Number :
13	1.3.08996	1	Schlüsselsatz (NR.2)	set of keys (nr.2)			Serial Number :
14	1.3.10407	1	Kit Elektrisches System	electric system kit	standard	x 1.3.05253	Serial Number :
14	1.3.11391	1	Kit Elektrisches System	electric system kit	optional	x 1.3.06422	Serial Number :
15	1.3.05481	1	Kohlenbürstensatz	carbon brushes kit			Serial Number :
16	2.7.11978XZ	1	Halterung	support			Serial Number :
17	1.3.06623	1	Elektrische Kartegehäuse	electric board box			Serial Number :
18	1.3.10618	1	Kit Elektrische Karte	electric board kit			Serial Number :
19	1.3.03176	1	Sicherung 50A	fuse 50A			Serial Number :
20	1.3.04449	1	Sicherung 2A 250V	fuse 2A 250V			Serial Number :
21	1.3.10678	1	Ladegerät SPE 12V-12A (Bs)	charger SPE 12V-12A (La)	SPE CBHF1 (Pb)	optional	Serial Number :
22	2.7.12256	1	Kit Ladegerät (SPE 12V-12A Bs)	Charger kit (SPE 12V-12A La)	KIT SPE CBHF1 optional	(Pb)	Serial Number :
23	1.3.11018	1	Ferrit	ferrite			Serial Number :
24	1.3.05198	1	Klemmenkappe -	battery terminal cover -	(-)		Serial Number :
25	1.3.05712	1	Klemme -	battery terminal -	(-)		Serial Number :
26	1.3.05197	1	Klemmenkappe +	battery terminal cover +	(+)		Serial Number :
27	1.3.05711	1	Klemme +	battery terminal +	(+)		Serial Number :
28	1.3.00805	1	Stecker	plug			Serial Number :
29	2.7.07945	2	Abstandhalter	spacer			Serial Number :
30	1.9.10599	1	Armaturenbrett label	instr.dashboard label			Serial Number :
31	1.2.10401	4	Stosssaempfering	shock absorbing ring			Serial Number :
32	1.2.10402	4	Stosssaempfering	shock absorbing ring			Serial Number :

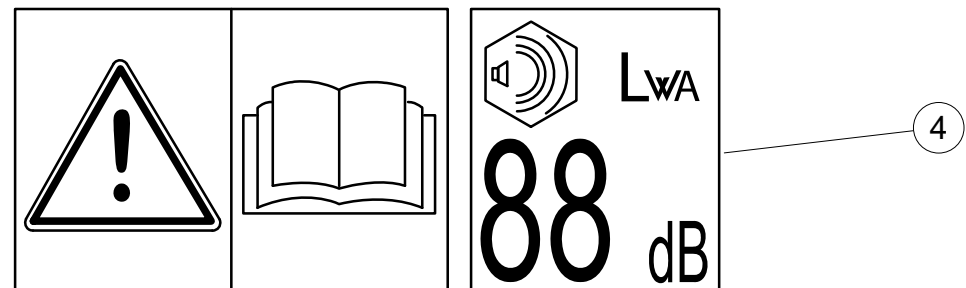
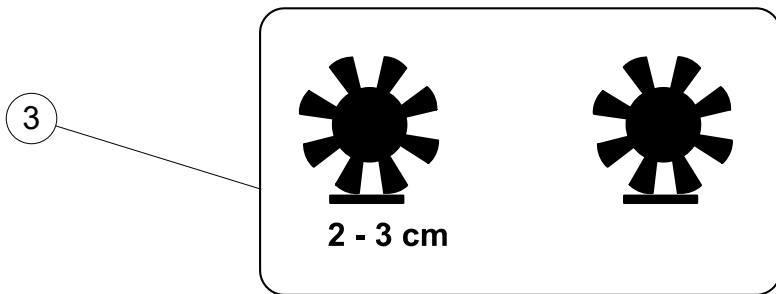
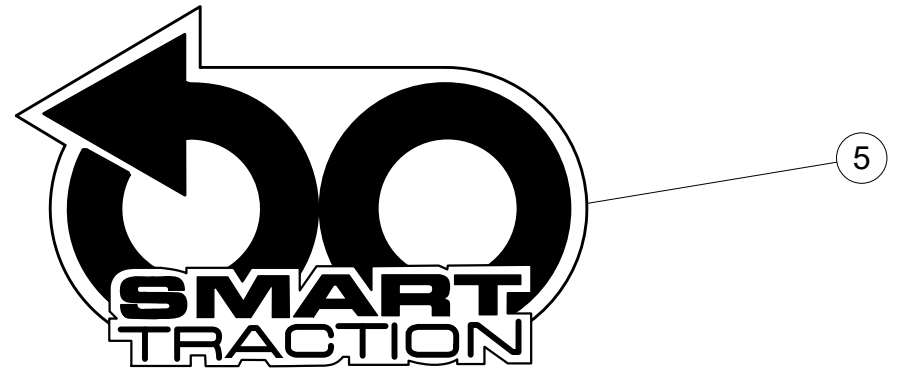
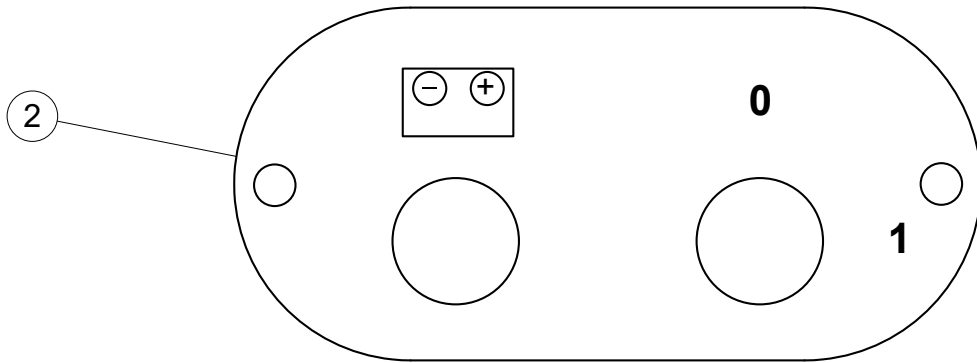
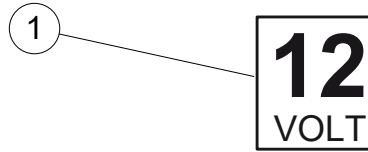


# SWEEPERLINE 700

Tafel n°  
Table n°

3

Stück Nr. Part. no°	Code n° Code no°	Anzahl Quantity	Ⓧ DE Benennung	Ⓧ EN Description	Bemerkungen Remarks		
							Serial Number :
33	2.7.12038	2	Scheibe	washer			Serial Number :
34	1.1.00045	4	Scheibe Ø8X24X2	washer Ø8X24X2			Serial Number :
35	1.3.13976	1	Ladegerät NE286 12V-13A (Bs)	charger NE286 12V-13A (La)	NE286 (Pb)	optional	Serial Number :
36	2.7.15889	1	Kit Ladegerät NE286 12V-13A (Bs)	charger kit NE286 12V-13A (La)	KIT NE286 (Pb)	optional	Serial Number :
37	1.3.01302	1	Kabelschuh (Rot)	cable lug (red)	optional		Serial Number :





# SWEEPERLINE 700

Tafel n°  
Table n°

4

Stück Nr. Part. no°	Code n° Code no°	Anzahl Quantity	(DE) Benennung	(EN) Description	Bemerkungen Remarks	
1	1.9.05034	1	Selbstklebend 12V	adhesive label 12V		Serial Number :
2	1.9.10599	1	Armaturenbrett label	instr.dashboard label		Serial Number :
3	1.9.10664	1	Selbstklebend	adhesive label		Serial Number :
4	1.9.10598	1	Selbstklebend	adhesive label		Serial Number :
5	1.9.10671	1	Selbstklebend	adhesive label		Serial Number :

